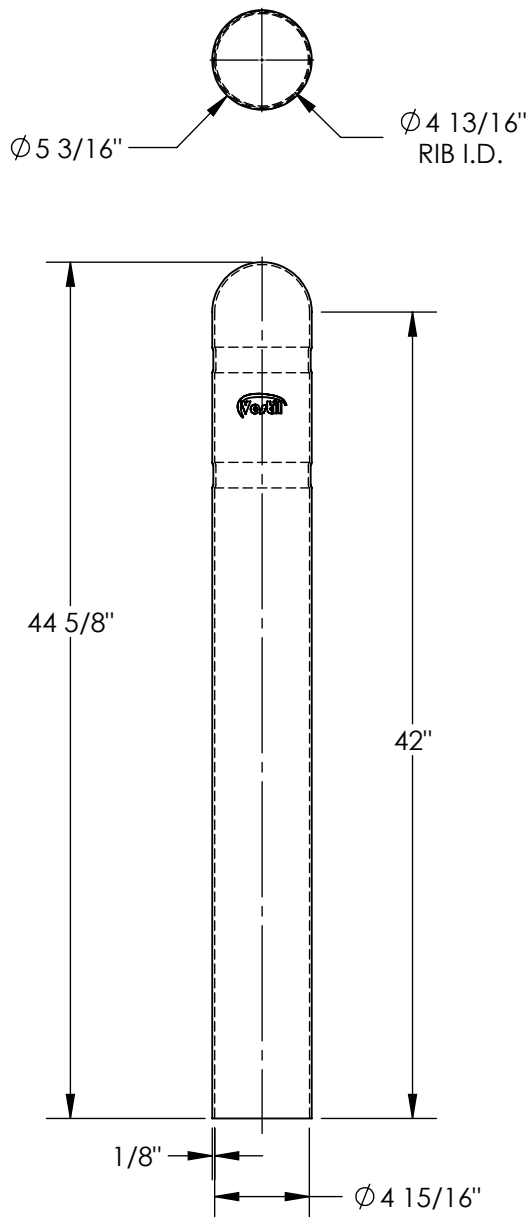


# PLASTIC BOLLARD COVER: BPC-42-4.5

APPROX WEIGHT: 3 lbs.

DOES NOT INCLUDE WEIGHT OF POWER OR PACKAGING!!!

\*\*\*ANY ADDITIONS, DELETIONS, OR OMISSIONS MUST BE CORRECTED ON THIS DRAWING AS THIS DRAWING WILL BE CONSIDERED ALL INCLUSIVE\*\*\*



ALL GRAPHICS PROVIDED ARE FOR REFERENCE ONLY. IF CERTAIN DIMENSIONS ARE CRITICAL PLEASE VERIFY THOSE DIMENSIONS WITH YOUR SALESPERSON

DIMENSION TOLERANCE  $\pm 1/4$ "

## STANDARD FEATURES

MODEL NUMBER: BPC-42-4.5  
 OVERALL HEIGHT:  $44 \frac{5}{8}$ "  
 USABLE HEIGHT: 42"  
 OUTER DIAMETER:  $\phi 5 \frac{3}{16}$ "  
 INNER DIAMETER:  $\phi 4 \frac{15}{16}$ "  
 INNER RIB DIAMETER:  $\phi 4 \frac{13}{16}$ "  
 WALL THICKNESS:  $\frac{1}{8}$ "  
 FOR USE WITH  $\phi 4 \frac{1}{2}$ " x 42" BOLLARDS  
 2-RIBBED DESIGN  
 MOLDED PLASTIC CONSTRUCTION  
 YELLOW FINISH

## SPECIAL FEATURES

NONE

APPROVAL

I, THE UNDERSIGNED, AGREE THAT THE PRODUCT AS REPRESENTED SATISFIES DESIGN AND DIMENSION REQUIREMENTS. I ALSO ACKNOWLEDGE MY DUTY TO CONFIRM PRODUCT AND INSTALLATION COMPLIANCE WITH ALL APPLICABLE FEDERAL, STATE AND LOCAL REGULATIONS AND STANDARDS.  
**UNITS REQUIRING APPROVAL DRAWINGS OR MODIFIED ARE NON-RETURNABLE**  
 As drawn       As marked

Signed: \_\_\_\_\_ Date: \_\_\_\_\_

Printed Name: \_\_\_\_\_

LEAD TIME WILL START UPON RECEIPT OF SIGNED APPROVAL DRAWING

DISTRIBUTOR'S NAME:		P.O.#
VESTIL MANUFACTURING		X
DRAWN BY: TJM		W.O.#
DATE: 10/04/22		X
REFERENCE: X	SCALE: 1:10	SALES: X
QUOTED LEAD TIME: X	QUOTE #	FILE NAME:
	X	23-007-892